

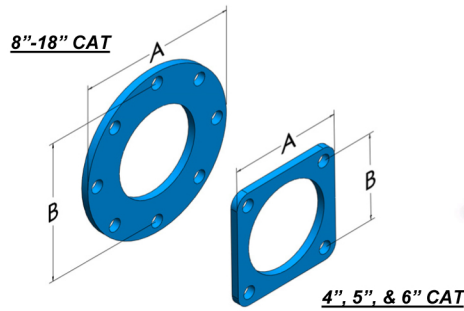
FULL FLOW CAT ISOLATORS

TYPE 37CV - FLANGE X CONE REDUCING FLANGE

T-321 STAINLESS STEEL BELLOWS / FLEX
 A-36 STEEL CAT. INLET FLANGE
 T-321 STAINLESS STEEL CONE TRANSITION
 125/150# A-36 STEEL OUTLET FLANGE
 T-321 STAINLESS STEEL VANSTONE STUB

OPTIONS:

- Longer / Shorter Lengths
- Increasing / Reducing Flanges
- Special Drilled / Metric Flanges
- T-304, T-316, and T-321 Stainless Steel Flanges
- Inconel 625 and Alloy "X" Bellows
- Flow Liner



"Full Flow Design"

TYPE 37CV - MULTI-PLY BELLOWS

SIZE	LIVE LENGTH	OVERALL LENGTH	INLET FLANGE		INCREASE OUTLET 1 SIZE				INCREASE OUTLET 2 SIZES			
			A O.D.	B D.B.C.	SIZE	FLG. O.D.	BOLT CIRCLE	PART NUMBER	SIZE	FLG. O.D.	BOLT CIRCLE	PART NUMBER
4"	9.00	16.00	5.50	4.15	5"	10.00	8.50	37M0400-5-16CV	6"	11.00	9.50	37M0400-6-16CV
5"	9.00	16.00	6.50	5.00	6"	11.00	9.50	37M0500-5-16CV	8"	13.50	11.75	37M0500-6-16CV
6"	9.00	16.00	8.00	6.00	8"	13.50	11.75	37M0600-8-16CV	10"	16.00	14.25	37M0600-10-16CV
8"	9.00	16.00	11.00	9.88	10"	16.00	14.25	37M0800-10-16CV	12"	19.00	17.00	37M0800-12-16CV
10"	9.00	16.00	13.50	12.44	12"	19.00	17.00	37M1000-12-16CV	14"	21.00	18.75	37M1000-14-16CV
12"	9.00	16.00	15.75	14.81	14"	21.00	18.75	37M1200-14-16CV	16"	23.50	21.25	37M1200-16-16CV
14"	9.00	16.00	17.10	16.13	16"	23.50	21.25	37M1401-16-16CV	18"	25.00	22.75	37M1401-18-16CV
14"	9.00	16.00	17.94	16.94	16"	23.50	21.25	37M1402-16-16CV	18"	25.00	22.75	37M1402-18-16CV
16"	9.00	16.00	23.50	21.25	18"	25.00	22.75	37M1600-18-16CV	20"	27.50	25.00	37M1600-20-16CV
18"	9.00	16.00	21.85	20.88	20"	27.50	25.00	37M1800-20-16CV	22"	29.50	27.25	37M1800-22-16CV

TYPE 37CV - SINGLE-PLY BELLOWS

SIZE	LIVE LENGTH	OVERALL LENGTH	INLET FLANGE		INCREASE OUTLET 1 SIZE				INCREASE OUTLET 2 SIZES			
			A O.D.	B D.B.C.	SIZE	FLG. O.D.	BOLT CIRCLE	PART NUMBER	SIZE	FLG. O.D.	BOLT CIRCLE	PART NUMBER
4"	9.00	16.00	5.50	4.15	5"	10.00	8.50	37S0400-5-16CV	6"	11.00	9.50	37S0400-6-16CV
5"	9.00	16.00	6.50	5.00	6"	11.00	9.50	37S0500-5-16CV	8"	13.50	11.75	37S0500-6-16CV
6"	9.00	16.00	8.00	6.00	8"	13.50	11.75	37S0600-8-16CV	10"	16.00	14.25	37S0600-10-16CV
8"	9.00	16.00	11.00	9.88	10"	16.00	14.25	37S0800-10-16CV	12"	19.00	17.00	37S0800-12-16CV
10"	9.00	16.00	13.50	12.44	12"	19.00	17.00	37S1000-12-16CV	14"	21.00	18.75	37S1000-14-16CV
12"	9.00	16.00	15.75	14.81	14"	21.00	18.75	37S1200-14-16CV	16"	23.50	21.25	37S1200-16-16CV
14"	9.00	16.00	17.10	16.13	16"	23.50	21.25	37S1401-16-16CV	18"	25.00	22.75	37S1401-18-16CV
14"	9.00	16.00	17.94	16.94	16"	23.50	21.25	37S1402-16-16CV	18"	25.00	22.75	37S1402-18-16CV
16"	9.00	16.00	23.50	21.25	18"	25.00	22.75	37S1600-18-16CV	20"	27.50	25.00	37S1600-20-16CV
18"	9.00	16.00	21.85	20.88	20"	27.50	25.00	37S1800-20-16CV	22"	29.50	27.25	37S1800-22-16CV

TYPE 37CV - FLEX HOSE

SIZE	LIVE LENGTH	OVERALL LENGTH	INLET FLANGE		INCREASE OUTLET 1 SIZE				INCREASE OUTLET 2 SIZES			
			A O.D.	B D.B.C.	SIZE	FLG. O.D.	BOLT CIRCLE	PART NUMBER	SIZE	FLG. O.D.	BOLT CIRCLE	PART NUMBER
4"	17.00	24.00	5.50	4.15	5"	10.00	8.50	37F0400-5-24CV	6"	11.00	9.50	37F0400-6-24CV
5"	17.00	24.00	6.50	5.00	6"	11.00	9.50	37F0500-5-24CV	8"	13.50	11.75	37F0500-6-24CV
6"	17.00	24.00	8.00	6.00	8"	13.50	11.75	37F0600-8-24CV	10"	16.00	14.25	37F0600-10-24CV
8"	17.00	24.00	11.00	9.88	10"	16.00	14.25	37F0800-10-24CV	12"	19.00	17.00	37F0800-12-24CV
10"	17.00	24.00	13.50	12.44	12"	19.00	17.00	37F1000-12-24CV	14"	21.00	18.75	37F1000-14-24CV
12"	17.00	24.00	15.75	14.81	14"	21.00	18.75	37F1200-14-24CV	16"	23.50	21.25	37F1200-16-24CV
14"	17.00	24.00	17.10	16.13	16"	23.50	21.25	37F1401-16-24CV	18"	25.00	22.75	37F1401-18-24CV
14"	17.00	24.00	17.94	16.94	16"	23.50	21.25	37F1402-16-24CV	18"	25.00	22.75	37F1402-18-24CV
16"	17.00	24.00	23.50	21.25	18"	25.00	22.75	37F1600-18-24CV	20"	27.50	25.00	37F1600-20-24CV
18"	17.00	24.00	21.85	20.88	20"	27.50	25.00	37F1800-20-24CV	22"	29.50	27.25	37F1800-22-24CV

See pages 4-6 for bellows and flex hose specifications.

Contact One Of Our Product Specialists For Assistance

